



### General Characteristics

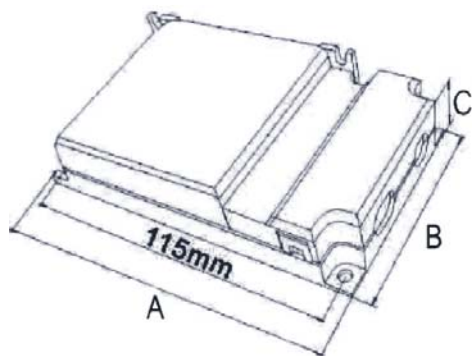
Plastic case  
Built in mounting type ballasts  
Push-in terminals  
Electric protection class I

### Technical Features

Input voltage 220–240Vac  
Input frequency 50÷60Hz  
Power factor correction (PFC)  $\lambda \geq 0,98$   
**Energy efficiency ratio (EEL): A2**  
Operating Ambient temperature  $T_a -10^{\circ}\text{C} \div +50^{\circ}\text{C}$

### Reference Standards

EN 55015  
EN 61000-3-2  
EN 61000-3-3  
EN 61347-1  
EN 61347-2-3  
EN 61547



### Caratteristiche Costruttive

Contenitore plastico  
Alimentatori da incorporare  
Morsetti di collegamento a pressione  
Classe di protezione I

### Caratteristiche Tecniche

Tensione di ingresso 220–240Vac  
Frequenza di ingresso 50÷60Hz  
Fattore di potenza (PFC)  $\lambda \geq 0,98$   
**Indice efficienza energetica (EEI): A2**  
Temperatura ambiente di funzionamento  $T_a -10^{\circ}\text{C} \div +50^{\circ}\text{C}$

### Norme di Riferimento

EN 55015  
EN 61000-3-2  
EN 61000-3-3  
EN 61347-1  
EN 61347-2-3  
EN 61547



EBPLC-908  
EBPLC-909



CODICE CODE	N.DI LAMP N.OF LAMP	POTENZA POWER (W)	TIPO DI LAMPADA TYPE OF LAMP	DIMENSIONI SIZE			ATTACCO HOLDER	
				A	B	C		
<b>EBPLC908</b>	1	1X13 W	PLC	123	67	30	G24q-1	GX24q-1
	1	1X18 W	PLC	123	67	30	G24q-2	GX24q-2
	1	1X26 W	PLC	123	67	30	G24q-3	GX24q-3
	2	2X13 W	PLC	123	67	30	G24q-1	GX24q-1
	2	2X18 W	PLC	123	67	30	G24q-2	GX24q-2
	2	2X26 W	PLC	123	67	30	G24q-3	GX24q-3
<b>EBPLC909</b>	1	1X32 W	PLT	123	67	30	GX24q-3	
	1	1X36 W	PLL	123	67	30	2G11	2G10
	1	1X42 W	PLT	123	67	30	GX24q-4	
	1	1X55 W	PLL	123	67	30	2G11	
	2	2X32 W	PLT	123	67	30	GX24q-3	
	2	2X36 W	PLL	123	67	30	2G11	2G10
	2	2X42 W	PLT	123	67	30	GX24q-4	
	2	2X55 W	PLL	123	67	30	2G11	



# ISTRUZIONI D'USO

## EBT5-xxx EBT8-xxx EBM1-XEU EBM2-XEU EBPLC908 EBPLC909

### Caratteristiche Costruttive

- Alimentatore da incorporare
- Classe elettrica di protezione I
- Morsetti di collegamento a pressione

### Caratteristiche Tecniche

- Tensione di ingresso 220-240Vac
- Frequenza di ingresso 50-60 Hz
- Fattore di potenza (PFC)  $\lambda \geq 0,97$
- Indice di efficienza energetica (EEL) : A2
- Rumorosità Classe A
- Max lunghezza cavo lampada 2 m
- Lunga vita di funzionamento >20000 ore
- Protezione EMC
- Umidità (%): +5% ....+85%
- Temperatura ambiente massima  
Ta -10°C ÷ +50°C

### General Characteristics

- Built in mounting type ballasts
- Electric protection class I
- Push-in terminals

### Technical Features

- Input voltage 220-240Vac
- Input Frequency 50-60 Hz
- Power factor (PFC)  $\lambda \geq 0,97$
- Energy efficiency index (EEL) : A2
- Noise level Class A
- Max lamp cable length 2 m
- Long working life >20000 ore
- Protection EMC
- Air Humidity (%): +5% ....+85%
- Ambient temperature Ta  
-10°C ÷ +50°C

### Ballast elettronico ad alta Efficienza Energetica per lampade a Fluorescenza T5 e T8

#### High Performance Electronic Ballast for T5 and T8 Fluorescent Lamps

Cod. Modello	Tipo Lampada	No. Lamp.	Corrente Ingresso (@ Vin= 230V~)	Fattore Potenza ( $\geq$ )	THD ( $\leq$ %)	Crest factor ( $\leq$ )	Tipo colleg.
EBT5-128	T5 28 W	1	0.14	0.98	15	1.7	C
EBT5-135	T5 35 W	1	0.14	0.98	15	1.7	C
EBT5-124	T5 24 W	1	0.10	0.96	25	1.7	C
EBT5-139	T5 39 W	1	0.17	0.96	20	1.7	C
EBT5-154	T5 54 W	1	0.21	0.97	20	1.7	C
EBT5-228	T5 28 W	2	0.25	0.98	25	1.7	D
EBT5-235	T5 35 W	2	0.31	0.98	25	1.7	D
EBT5-224	T5 24 W	2	0.20	0.98	25	1.7	D
EBT5-239	T5 39 W	2	0.31	0.97	25	1.7	D
EBT5-254	T5 54 W	2	0.38	0.98	15	1.7	D

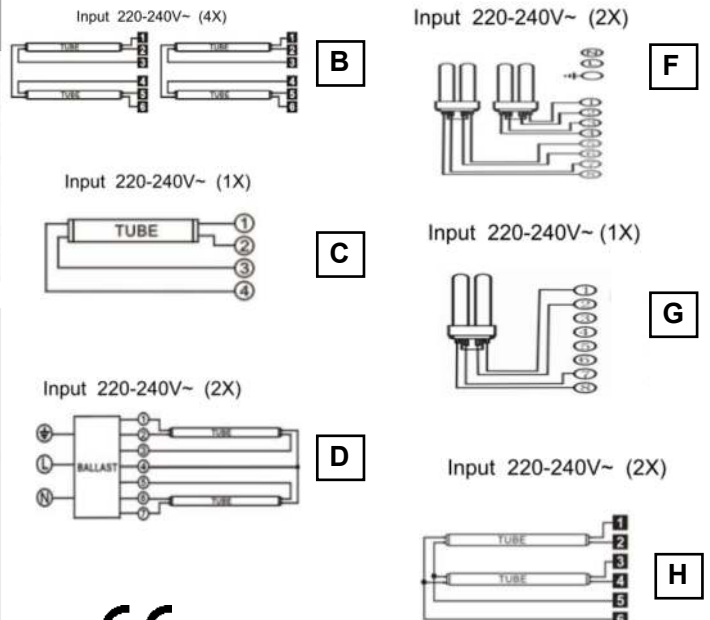
### Ballast elettronico multi-Power per lampade a Fluorescenza T5 /T8 / PL

#### High Efficiency Multi-Power electronic Ballast for T5/T8/PL Fluorescent Lamps

Cod. Modello	Tipo Lampada	No. Lamp.	Corrente Ingresso (@ Vin= 230V~)	Fattore Potenza ( $\geq$ )	THD ( $\leq$ %)	Crest factor ( $\leq$ )	Tipo colleg.
EBM1-XEU	T5 24 W	1	0.15	0.98	10	1.7	C
	T5 39 W	1	0.22	0.98	10	1.7	C
	T5 54 W	1	0.25	0.98	10	1.7	C
	T8 30 W	1	0.18	0.98	10	1.7	C
	T8 36 W	1	0.20	0.98	10	1.7	C
	T8 58 W	1	0.23	0.98	10	1.7	C
	PLL 36 W	1	0.18	0.98	10	1.7	C
	PLT 42 W	1	0.22	0.98	10	1.7	C
EBM2-XEU	PLL 55 W	1	0.23	0.98	10	1.7	C
	PLL 36 W	2	0.32	0.97	10	1.7	H
	PLT 42 W	2	0.40	0.98	10	1.7	H
	PLL 55 W	2	0.42	0.98	10	1.7	H
	T5 24 W	2	0.21	0.98	10	1.7	H
	T5 39 W	2	0.40	0.98	10	1.7	H
	T5 54 W	2	0.48	0.98	10	1.7	H
	T8 30 W	2	0.33	0.98	10	1.7	H
EBPLC908	T8 36 W	2	0.37	0.98	10	1.7	H
	T8 58 W	2	0.44	0.98	10	1.7	H
	PLC 13 W	1	0.06	0.98	10	1.7	G
	PLC 18 W	1	0.08	0.98	10	1.7	G
	PLC 26 W	1	0.11	0.98	10	1.7	G
	PLC 13 W	2	0.11	0.98	10	1.7	F
EBPLC909	PLC 18 W	2	0.16	0.98	10	1.7	F
	PLC 26 W	2	0.23	0.98	10	1.7	F
	PLT 32 W	1	0.14	0.98	10	1.7	G
	PLL 36 W	1	0.16	0.98	10	1.7	G
	PLT 42 W	1	0.18	0.98	10	1.7	G
	PLL 55 W	1	0.24	0.98	10	1.7	G
	PLT 32 W	2	0.28	0.98	10	1.7	F
	PLL 36 W	2	0.32	0.98	10	1.7	F
EBPLC909	PLT 42 W	2	0.37	0.98	10	1.7	F
	PLL 55 W	2	0.48	0.98	10	1.7	F

Cod. Modello	Tipo Lampada	No. Lamp.	Corrente Ingresso (@ Vin= 230V~)	Fattore Potenza ( $\geq$ )	THD ( $\leq$ %)	Crest factor ( $\leq$ )	Tipo colleg.
EBT8-118	T8 18 W	1	0.09	0.96	25	1.7	C
EBT8-130	T8 30 W	1	0.14	0.97	20	1.7	C
EBT8-136	T8 36 W	1	0.16	0.97	15	1.7	C
EBT8-158	T8 58 W	1	0.23	0.97	20	1.7	C
EBT8-218	T8 18 W	2	0.13	0.97	25	1.7	D
EBT8-230	T8 30 W	2	0.26	0.97	25	1.7	D
EBT8-236	T8 36 W	2	0.29	0.97	20	1.7	D
EBT8-258	T8 58 W	2	0.47	0.98	20	1.7	D
EBT8-418	T8 18 W	4	0.31	0.98	20	1.7	B

### Tipo di collegamento / Electrical Wiring



Normative di riferimento:

- EN 55015
- EN 61000-3-2
- EN 61000-3-3
- EN 61347-1
- EN 61347-2-3
- EN 61547

MADE IN P.R.C.

Rev. V 5.00 23/05/2017

**ATTENZIONE:** Togliere l'alimentazione prima di installare il Ballast o sostituire la lampada. Collegamento di terra necessario.

Corto circuito tra i cavi di alimentazione non ammesso.

**CAUTION:** Disconnect the power supply before the lamp replacement or electronic ballast installation.

Earth wiring needed. Short Circuit between power cables not allowed.

## LEF\_Lista\_lampade\_alimentatori\_elettronici\_v1.03

Marca	Sigla	Tipo	ATTACCO														
	Lampada	Lampada	Lampada	1x13W	1x18W	1x26W	1x32W	1x36W	1x42W	1x55W	2x13W	2x18W	2x26W	2x32W	2x36W	2x42W	2x55W
OSRAM	DULUX	D/E	G24q-1	EBPLC908							EBPLC908						
OSRAM	DULUX	D/E	G24q-2		EBPLC908							EBPLC908					
OSRAM	DULUX	D/E	G24q-3			EBPLC908							EBPLC908				
OSRAM	DULUX	T/E	GX24q-1	EBPLC908													
OSRAM	DULUX	T/E	GX24q-2		EBPLC908												
OSRAM	DULUX	T/E	GX24q-3			EBPLC908	EBPLC909						EBPLC908	EBPLC909			
OSRAM	DULUX	T/E	GX24q-4						EBPLC909								EBPLC909
OSRAM	DULUX	L	2G11					EBPLC909		EBPLC909						EBPLC909	EBPLC909
OSRAM	DULUX	F	2G10			EBPLC908		EBPLC909								EBPLC909	
PHILIPS	MASTER	PL-C/4P	G24q-1	EBPLC908							EBPLC908						
PHILIPS	MASTER	PL-C/4P	G24q-2		EBPLC908							EBPLC908					
PHILIPS	MASTER	PL-C/4P	G24q-3			EBPLC908							EBPLC908				
PHILIPS	MASTER	PL-T/4P	GX24q-1	EBPLC908													
PHILIPS	MASTER	PL-T/4P	GX24q-2		EBPLC908												
PHILIPS	MASTER	PL-T/4P	GX24q-3			EBPLC908	EBPLC909						EBPLC908	EBPLC909			
PHILIPS	MASTER	PL-T/4P	GX24q-4						EBPLC909								EBPLC909
PHILIPS	MASTER	PL-L/4P	2G11					EBPLC909		EBPLC909						EBPLC909	EBPLC909